

ANGLE STOP MULTI TURN



TECHNICAL DATA

DESCRIPTION:
3/8" O.D. Comp. Outlet X 1/2" PEX Inlet Angle Stop Multi Turn

CONSTRUCTION:
Solid Brass Body and Plastic Stem, Plastic Handle, Rubber Washer

FINISH:
Chrome Plated finish

CODE APPROVALS:
UPC approved. Complies w/ NSF-61

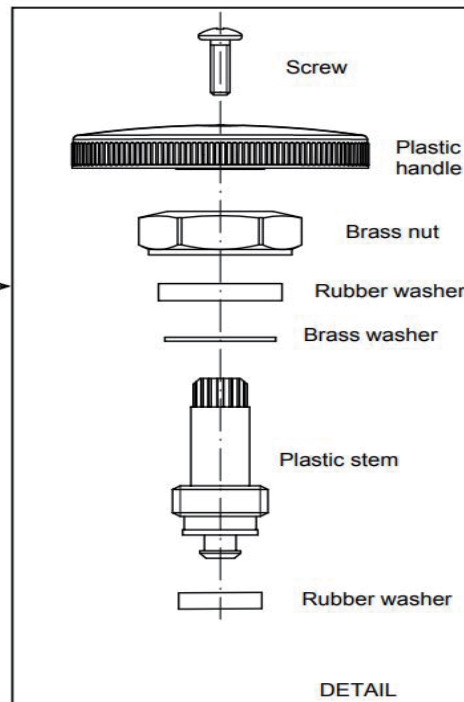
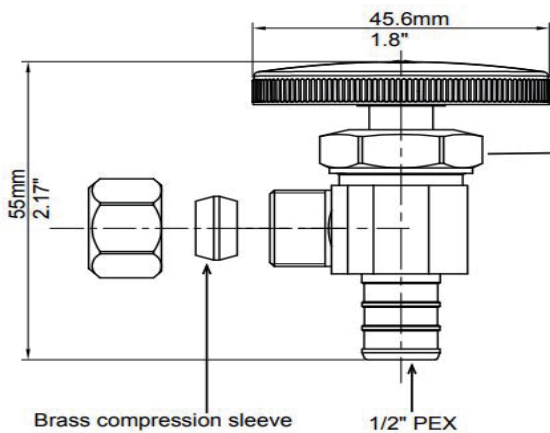
PACKAGING:
Color Box w/ Barcode
Inner carton: 20
Master carton: 80

PART#	DESCRIPTION	FINISH
AS-PEX-MT	3/8"OD Comp. X 1/2" PEX	Chrome



Country of origin: China

ROUGH IN DRAWING



ALL DIMENSIONS SHOWN ARE NOMINAL

Meets requirements for NSF-61
 Approved